

Synthra MChelate (Catalog No. 013)

Synthra MChelate is a completely automated synthesis system for routine production of [^{68}Ga], [^{90}Y], [^{177}Lu] and [^{89}Zr] labeled peptides. With the easy-to-use configuration software SynthraView it's simple to automate the synthesis. The Synthra MChelate module offers both fully automatic and manual modes of operation.

Labeling Possibility Examples

- ✓ **Peptide application: DOTATOC or DOTATATE** can be labeled by heating 50 nmol of peptide at pH 3.5 - 4.2 for 5 min at 95 °C. For purification, the reaction mixture is passed over a C-18 cartridge to avoid any potential metal breakthrough.
 - **[^{68}Ga] Labeling:** The automated synthesis takes about 20 minutes with a possible decay-corrected yield of about 50%.
 - **[^{177}Lu] Labeling:** The automated synthesis takes about 15 minutes with a possible decay-corrected yield of >70%.
- ✓ **[^{89}Zr] solution application:** Monoclonal antibodies (mAbs) conjugated with DFO can be labeled fully automated at room temperature in 60 min. The reaction mixture can be purified and desalted using a PD-10 SEC column.

General Features

- ✓ **Heating and cooling capabilities**
 - One heating zone with cooling capabilities
 - Temperature range: RT – 200 °C
- ✓ **Detectors and controllers**
 - Two shielded radiation detectors
 - One pressure sensor
- ✓ **Build-in vacuum pump** (< 250 mbar)
- ✓ **Dispensers and valves**
 - HR-dispenser (up to 50.000 steps, 2.5/5 mL)
 - Chemically inert valves with small dead volume < 35 μL , 5 bar rated
- ✓ **Dimensions** (w x d x h): 24 x 30 x 35 cm
- ✓ **Weight:** approx. 15 kg



Synthesis Features

- ✓ **Six reagent vials**
 - Four small (1 – 3 mL) and two large (10 – 15 mL) volume glass vials for reagents
- ✓ **Two cartridge holders**
- ✓ **SPE unit** for final product formulation

Additional Synthesis Options

- ➔ **Product solvent evaporator**
(Catalog No. 000pse)
- ➔ **[^{18}F] option** with [^{18}O]water recovery system
(Catalog No. 013f)

GMP Features

- ✓ Synthesis files for various radiotracers available
- ✓ **GMP compliant.** Electronic control and data collection (27/18 channels)
- ✓ **21CFRpart11** & **LIMS** compatible

Terminal Control

- ✓ A laptop (Win 10 Pro) with preinstalled controlling software SynthraView is included
- ✓ Four digital inputs for communication with external devices upon request

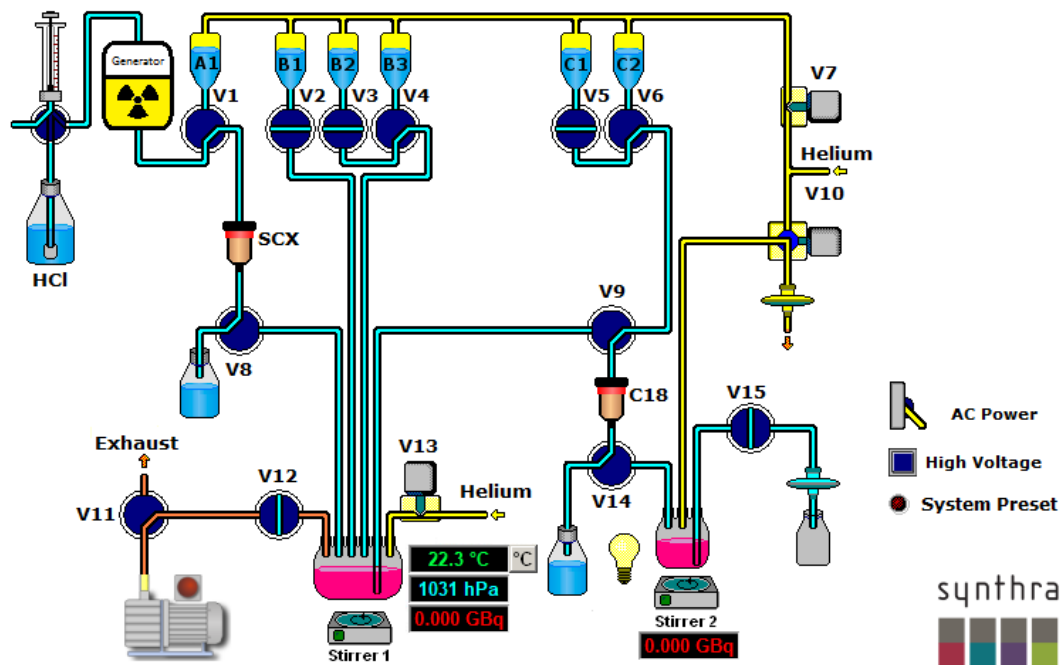
Synthra Various Radiosynthesizers

Product Description and Technical Specifications

synthra



MChelate



The Graphical User Interface (GUI) of the SynthraView software.