

Synthra N13/NaF (Catalog No. 010)

The Synthra N13/NaF is a completely automated and very compact radio synthesis system for routine production of $[^{13}\text{N}]\text{NH}_3$ or $[^{18}\text{F}]\text{NaF}$. The SynthraView software offers both fully automatic as well as manual modes of operation of the Synthra Ammonia module.

Labeling Possibilities

- ✓ Designed for the synthesis of $[^{18}\text{F}]\text{NaF}$ and $[^{13}\text{N}]\text{ammonia}$
- ✓ The radio synthesis system has a dedicated sub system for the **recovery and collection of $[^{18}\text{O}]\text{H}_2\text{O}$** .
- ✓ The target activity is measured with a separate detector.

General Features

- ✓ Three shielded **radiation detectors**
- ✓ Build-in **vacuum pump** (< 250 mbar)
- ✓ **Chemically inert valves** with small dead volume < 35 μL , 5 bar rated
- ✓ **Dimensions** (w x d x h): 24 x 30 x 35 cm
- ✓ **Weight**: approx. 15 kg

Synthesis Features

- ✓ **Three reagent vials**
 - Two small (1 – 3 mL) and one large (10 – 15 mL) volume glass vials for reagents
- ✓ **Two cartridge holders**

Additional Synthesis Option

- **Product solvent evaporator**
(Catalog No. 000pse)



GMP Features

- ✓ Synthesis files for $[^{13}\text{N}]\text{NH}_3$ and $[^{18}\text{F}]\text{NaF}$
- ✓ **GMP compliant**. Electronic control and data collection (27/18 channels)
- ✓ **21CFRpart11** & **LIMS** compatible

Terminal Control

- ✓ A laptop (Win 10 Pro) with preinstalled controlling software SynthraView is included
- ✓ Four digital inputs for communication with external devices upon request

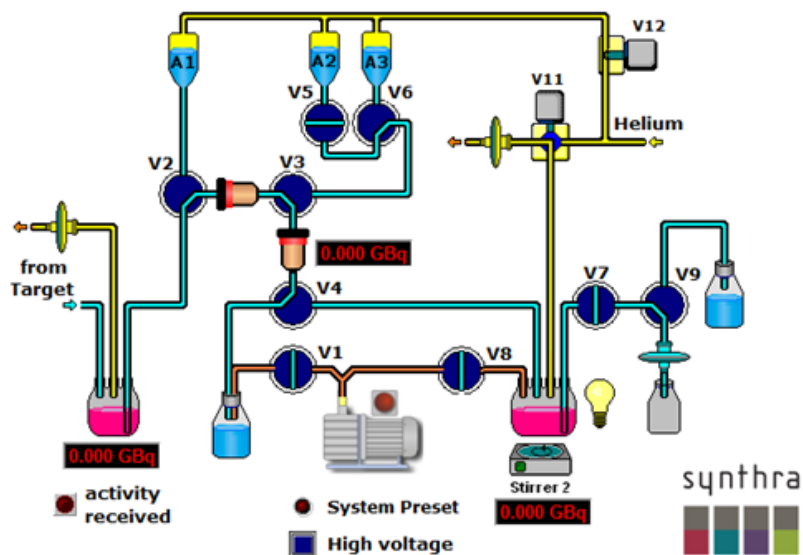
Synthra Various Radiosynthesizers

Product Description and Technical Specifications

synthra



N13/NaF



The Graphical User Interface (GUI) of the SynthraView software.