

Synthra Electrophilic (Catalog No. 002)

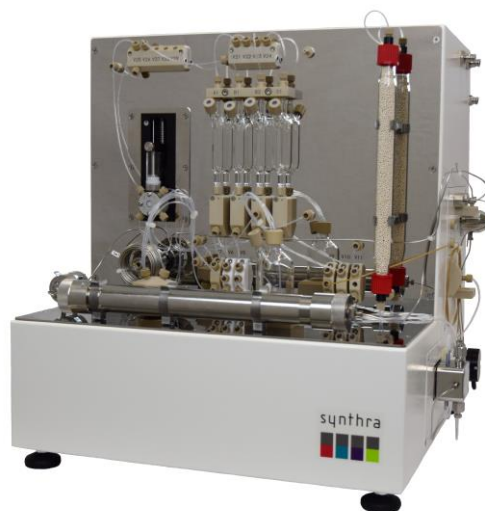
Synthra Electrophilic is a flexible and completely automated radio synthesis system for routine production of a variety of [¹⁸F]fluorine labeled compounds like e. g. [¹⁸F]FBPA by electrophilic fluorination. Automating the synthesis is simple with the easy-to-use configuration software SynthraView. The Synthra Electrophilic module offers both fully automatic and manual modes of operation.

[¹⁸F] Labeling Possibilities

- ✓ **Simple creation of user-defined synthesis methods**
- ✓ **The target activity is measured with a separate detector.**

General Features

- ✓ **Heating and cooling capabilities**
 - One heating zone with cooling capabilities
 - Temperature range: -50 °C – 200 °C
- ✓ **Detectors and controllers**
 - Three shielded radiation detectors
- ✓ **Build-in vacuum pump** (< 5 mbar)
- ✓ **Liquid nitrogen trap** for protecting the vacuum pump from radioactive volatiles
- ✓ **Soda-lime trap** for trapping any fluorine before leaving the exhaust
- ✓ Built-in **Radio-HPLC** with isocratic gradient pump, variable wavelength UV/Vis detector (190 – 900 nm) and a HPLC column
- ✓ **Self-Cleaning System**
- ✓ Automated cleaning program
- ✓ **Dispensers and valves**
 - One HR-dispenser (up to 50.000 steps, 2.5/5 mL) for liquid transfer
 - Chemically inert valves with small dead volume < 35 µL, 5 bar rated
- ✓ **Dimensions** (w × d × h): 46 × 50 × 48 cm
- ✓ **Weight:** ca. 30 kg



Synthesis Features

- ✓ One glass reaction vessel (-50 °C – 200 °C) with integrated cooling to reduce synthesis time
- ✓ **Four reagent vials**
 - Three small (1 – 3 mL) and one large (10 – 15 mL) volume glass vials for reagents

Additional Synthesis Options

- ➔ **Product solvent evaporator**
(Catalog No. 000pse)

GMP Features

- ✓ Synthesis files for several tracers available
- ✓ **GMP compliant.** Electronic control and data collection (27/18 channels)
- ✓ **21CFRpart11** & **LIMS** compatible

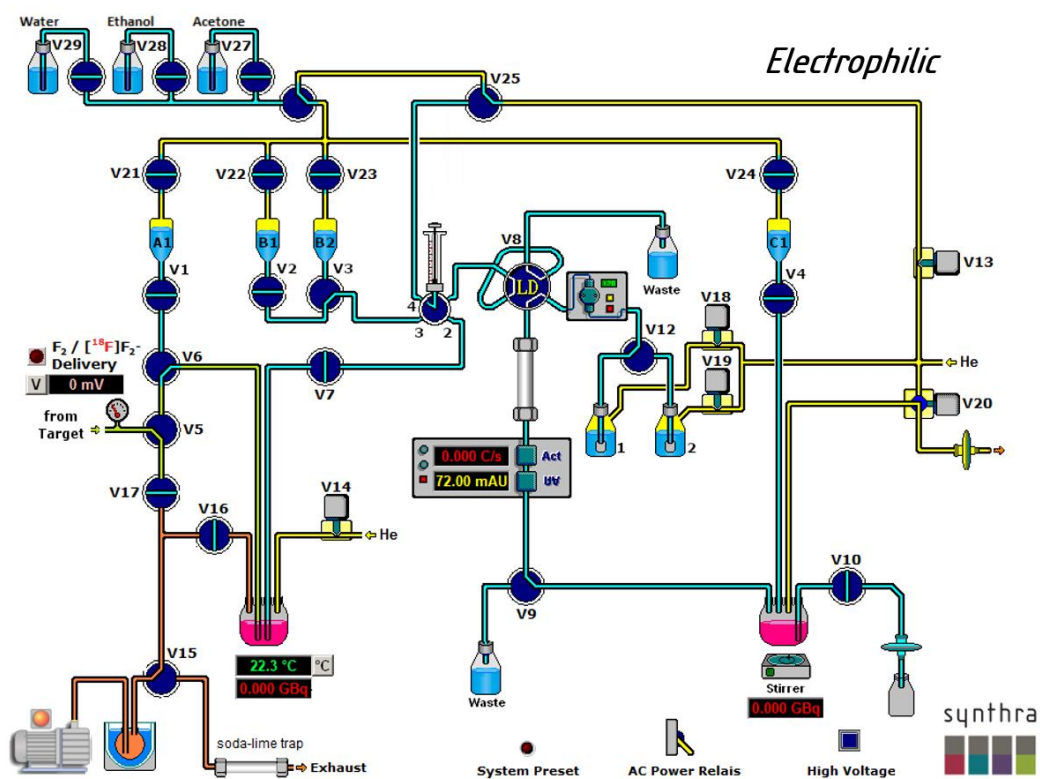
Terminal Control

- ✓ A laptop (Win 10 Pro) with preinstalled controlling software SynthraView is included
- ✓ Four digital inputs for communication with external devices upon request

Synthra F-18 Family

Product Description and Technical Specifications

synthra



The Graphical User Interface (GUI) of the SynthraView software.